

SPRINGFIELD 36

DIRECT VENT GAS FIREPLACE



Springfield 36 shown with an Arched Mission Screen front in Vintage Bronze with optional LedgeStone refractory

QUALITY FIREPLACES FOR LIFE.

KOZY  **HEAT**
FIREPLACES

SPRINGFIELD 36

Fronts



Rectangle Screen Front
No Refractory
Screen Front available in Black



Arched Prairie Screen Front
with optional Black Glass panels
Screen Front available in Black



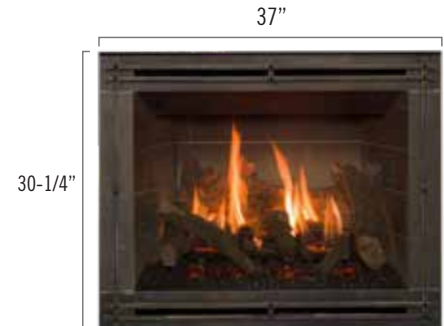
Full Rectangle Screen Front
with optional Brick Refractory
Screen Front available in Black, Antique Copper, Brushed Nickel



Rectangle Full Prairie Screen Front
with optional Rustic Brick Refractory
Screen Front available in Black



Arched Full Prairie Door
with optional Limestone Refractory
Screen Front available in Black



Rectangle Mission in Vintage Bronze
with optional Masonry Refractory
Screen Front available in Vintage Bronze



Arched Mission in Vintage Bronze
with optional Rustic Brick Refractory
Screen Front available in Vintage Bronze



Springfield 36 shown with a Full Rectangle Brushed Nickel screen front and optional Masonry Refractory

SPRINGFIELD 36

Optional Refractory



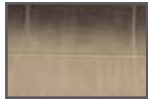
Traditional Brick



Rustic Brick



LedgeStone



Masonry



Black Glass

Springfield 36 comes standard with black firebox

Springfield 36 IPI Control



Komfort Kontrol Remote

SPRINGFIELD 36

Fireplace brochures are for advertising purposes only. Refer to the specific fireplace manual for installation.

Specifications

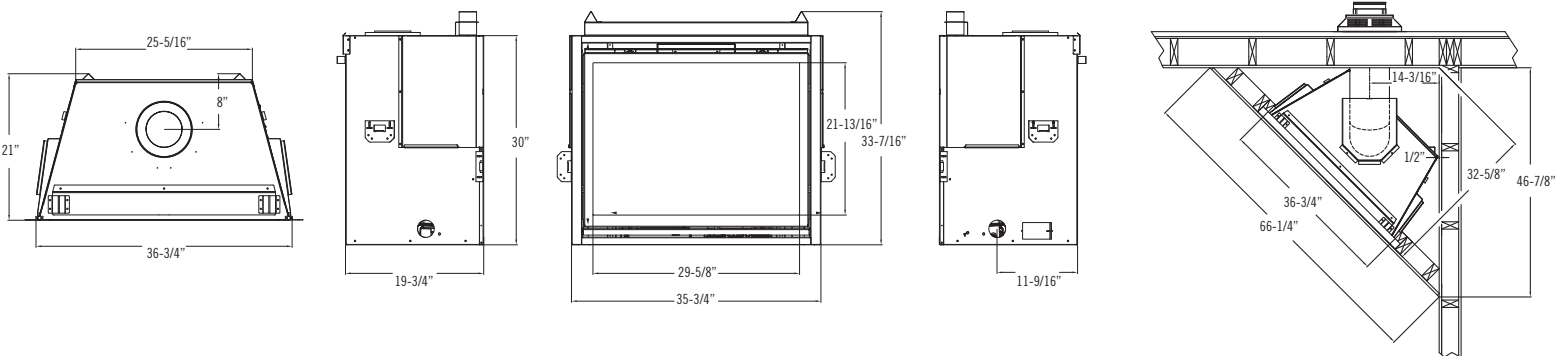
TOP

LEFT SIDE

FRONT

RIGHT SIDE

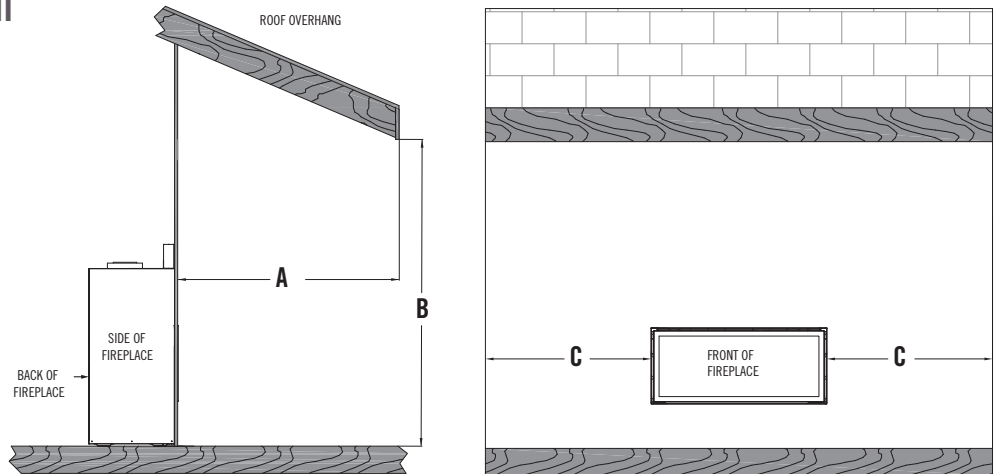
CORNER



Outdoor Covered Fireplace Install

- Fireplace operation is approved from 40° F to 110° F
- All wiring connections shall be in accordance with outdoor requirements of NECA NFPA 70
- All clearances and requirements in your appliance manual must be adhered to

EXAMPLE: If roofline (B) is 10 ft. above the base of the fireplace, the overhang (A) must be 5 ft. or greater. The width of the overhang to EACH side of the fireplace (C) must be 5 ft. or greater.



The overhang (A) must be a minimum of 1/2 or greater of the roofline elevation (B) above the base of the fireplace.

The width of the overhang to each side of the appliance (C) must be a minimum of 1/2 or greater of the roofline elevation (B) above the base of the fireplace.

Clearances

Model	Springfield 36
From Fireplace Top to 3/4 Trim	4"
From Unit Left & Right Sides & Back Standoffs	0"
From Fireplace Corners	1/2"
From Appliance Front	36"
Fireplace Bottom Standoffs to Flooring	0"
Fireplace Top to Ceiling	29-1/4"
Fireplace Enclosure Floor to 3/4" Trim	35"
Fireplace Enclosure Floor to Combustible Mantel 4" Maximum Depth	37"
Unit side to adjacent parallel sidewall	6"
Minimum Height of Fireplace Enclosure	59-1/4"

Model	Springfield 36
Height	30"
Width	35-3/4"
Back Width	25-5/16"
Depth	19-3/4"
Weight	210 lbs
Viewing Area	29-5/8" x 21-13/16"
BTU NG High / Low	35,000 / 18,000
BTU LP High / Low	35,000 / 18,000
ENERGUIDE P.4 NG / LP	77.5% / 76.86%
Steady State NG / LP	79.55% / 78.43%
AFUE % NG / LP	73.88% / 72.16%
Valve System	IPI
Optional Refractory/Panels	Ledgestone, Masonry, Traditional Brick, Rustic Brick, Black Glass
Ceramic Glass	Standard
Fan Kit	Standard
Ember Bed Lighting	Standard
Screen Front	Required
Horizontal Power Vent	Optional

Burn Video



Refer to the installation manuals for complete installation & venting requirements. See additional mantel clearance configurations in the installation manual.

Features, Options & Specifications are subject to change.

Each unit factory tested

Certified to ANSI Z21.88 Vented Gas Heaters

In order to continually provide the highest quality product available, features/options, specifications & dimensions are subject to change. Refer to the unit installation manual for complete installation instructions. Installation must conform with local building codes. **In some regions it may be possible that this appliance qualifies for an energy rebate. See your local dealer for details regarding promotions and qualifications.**

Manufactured by Husson Mfg. Co., Inc.
204 Industrial Park Road, Lakefield, MN 56150
Phone 1-800-253-4904 www.kozyheat.com

1-21



Product Line:



For complete information on the Kozy Heat product line, please contact us at:

FOR CALIFORNIA RESIDENTS ONLY

⚠ California Proposition 65 Warning

WARNING: This product can expose you to chemicals including Carbon Monoxide, that is an externally vented by-product of fuel combustion, which is [are] known to the State of California to cause birth defects or other reproductive harm. For more information, visit www.P65Warnings.ca.gov.